



Service Kits for Sulzer Pumps and Agitators

Service Kits for Sulzer Pumps and Agitators

Each time a pump or agitator is serviced it is necessary to replace o-rings, gaskets, sleeves, bearings and other small parts. Distinct sets of parts are required for different service tasks. To make the work of servicing easier and faster, these parts should be readily available and easily identifiable.

Sulzer has developed service kits for pumps and agitators to simplify specific service tasks, such as changing the impeller, servicing a bearing unit, changing a side-plate, servicing a seal etc. All the o-rings, gaskets and other small parts required for a specific service task on one pump or agitator are in one package, clearly marked

with its own unique identification number, the product type, size and the specific service task. Purchasing is simplified as a single number replaces a list of numbers and descriptions for items in the kit.

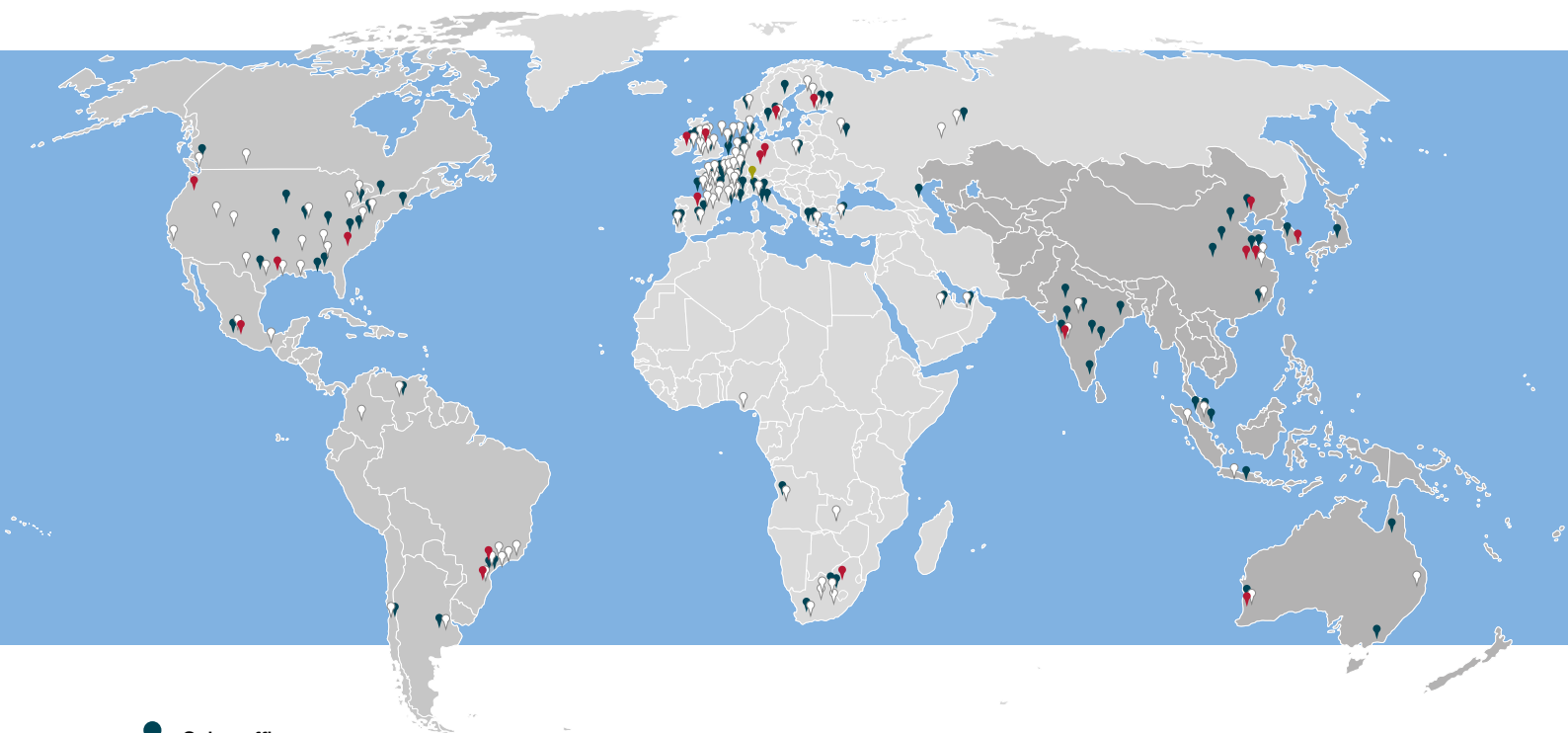
Sturdy packaging and clear marking make the service kits easy to store and easy to use. The packaging protects the individual items from damage and can be recycled after use.





New, genuine spare parts, including gaskets and o-rings, should always be used when servicing a pump or an agitator. This ensures the reliability, and reduces the lifetime costs of the serviced equipment.

Please find all available service kits for Sulzer pumps and agitators in this brochure. Contact your local sales office for further information.

Key benefits for the customer

- Pump service based kits including all the necessary parts in one package
- Easy to identify and use
- Easy to specify and order
- Easy to store
- Saves time and costs in maintenance and purchasing
- Reduced inventories and costs
- Recyclable packaging
- Original spare parts ensure compatibility and reliability and reduce lifetime costs



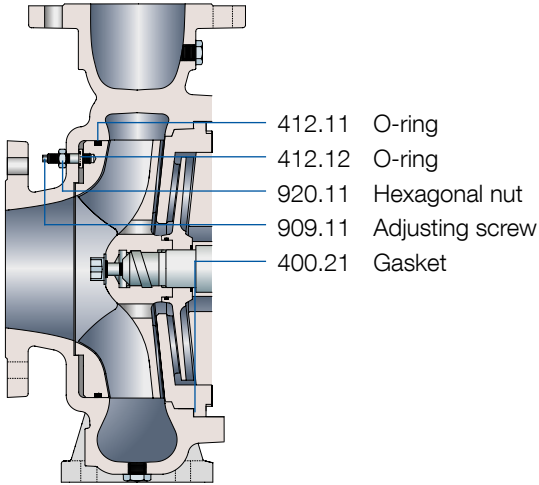
-  Sales offices
-  Customer support service centers
-  Manufacturing and packaging facilities
-  Divisional headquarters

In addition, our Rotating Equipment division with its comprehensive coverage, is on hand to assist.

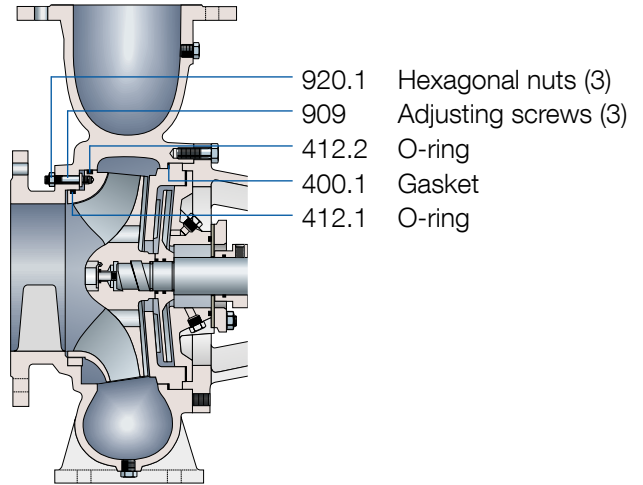
Service Kits for Process Pumps

Sideplate service kit

Type A

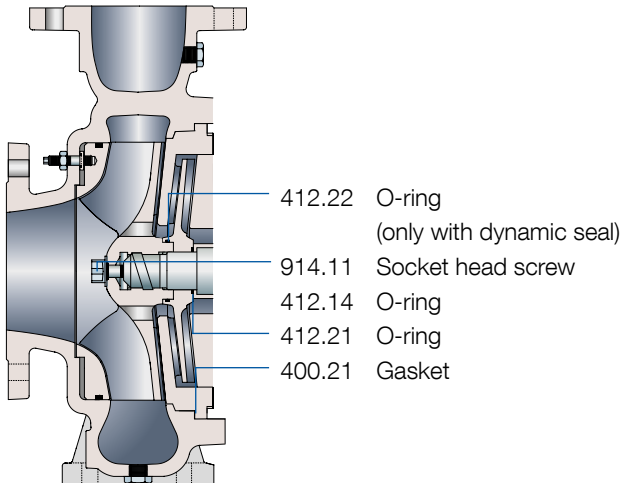


Type APP/T, NPP/T, EPP/T, WPP/T

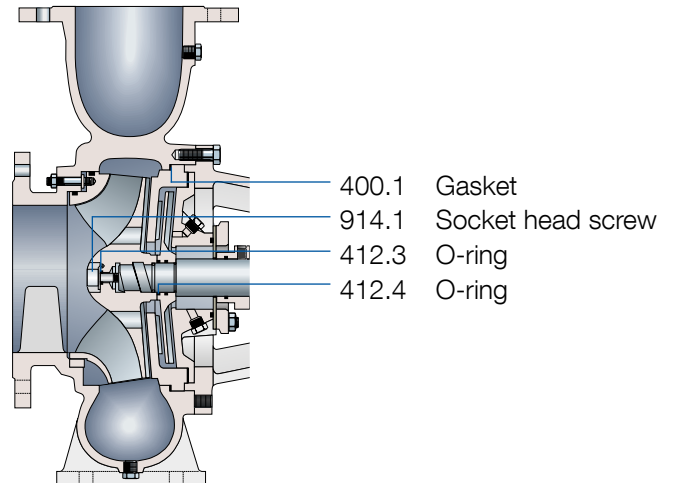


Impeller service kit

Type A

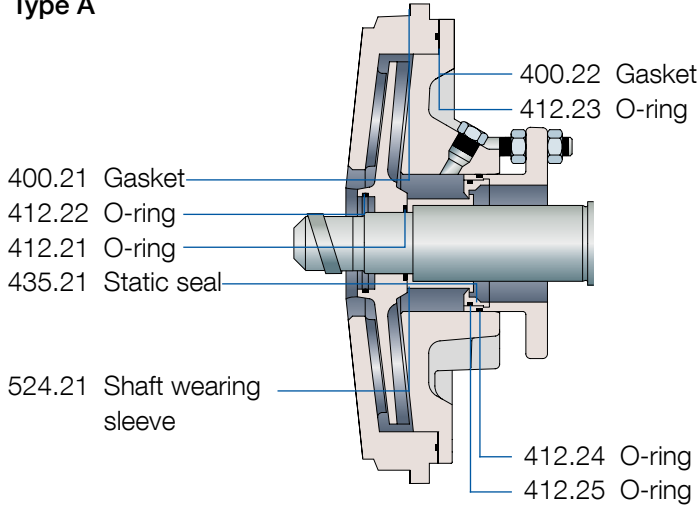


Type APP/T, NPP/T, EPP/T, WPP/T

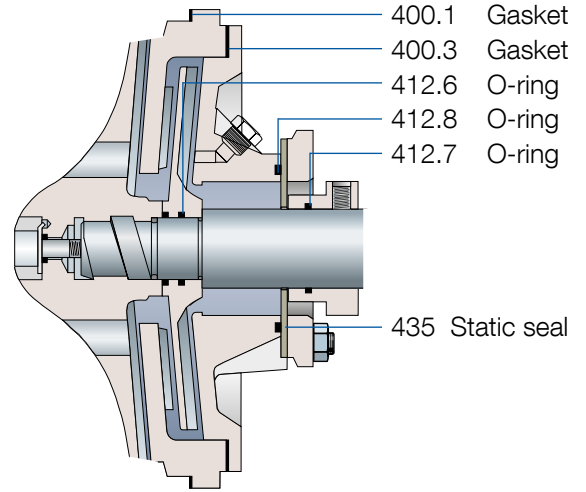


Dynamic seal service kit

Type A

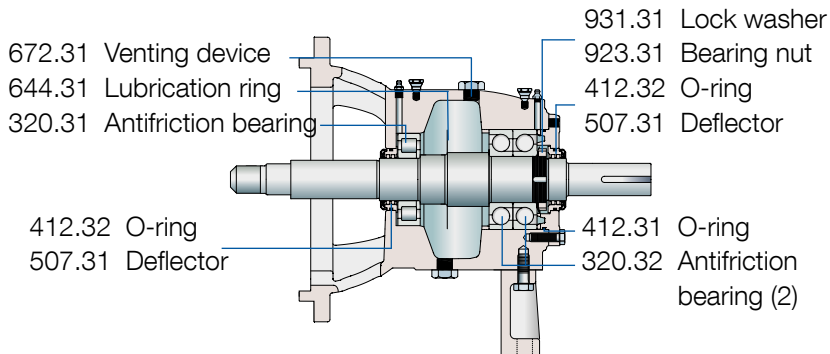


Type APP/T, NPP/T, EPP/T, WPP/T



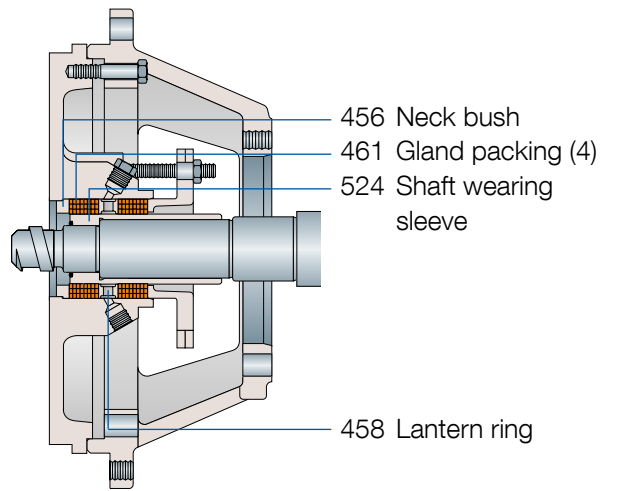
Bearing unit service kit

Type A

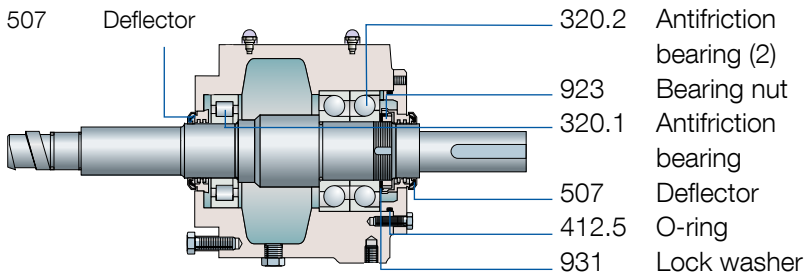


Gland packing service kit

Type APP/T, NPP/T, EPP/T, WPP/T



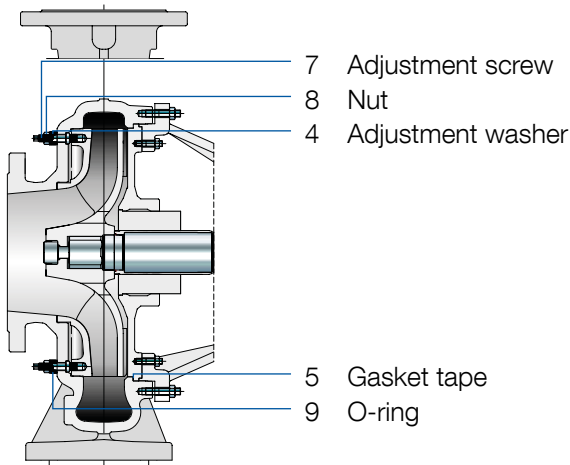
Type APP/T, NPP/T, EPP/T, WPP/T



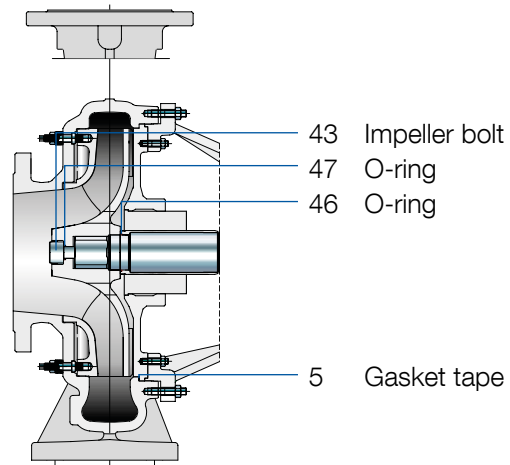
Service Kits for BE Process Pumps

Also applicable for other pump series, such as BA, NB, FB, BK, NK, BG and BM.
Content depends on bearing size and generation

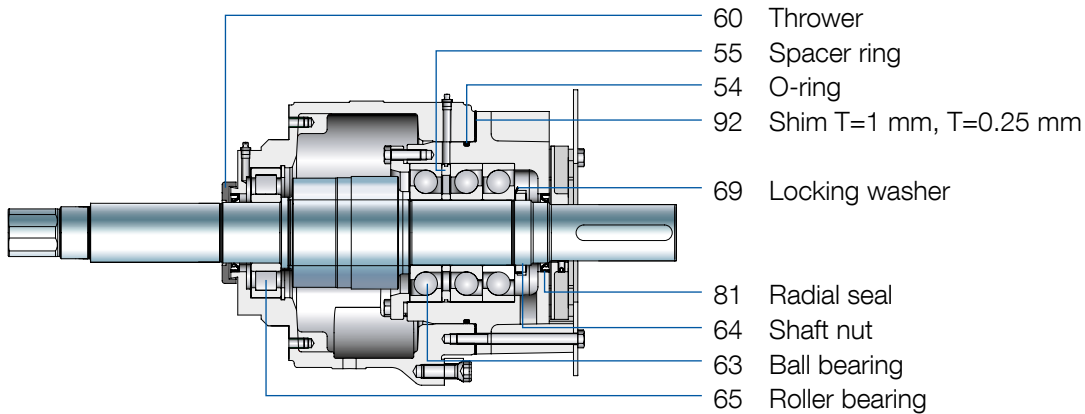
Wear disc service kit



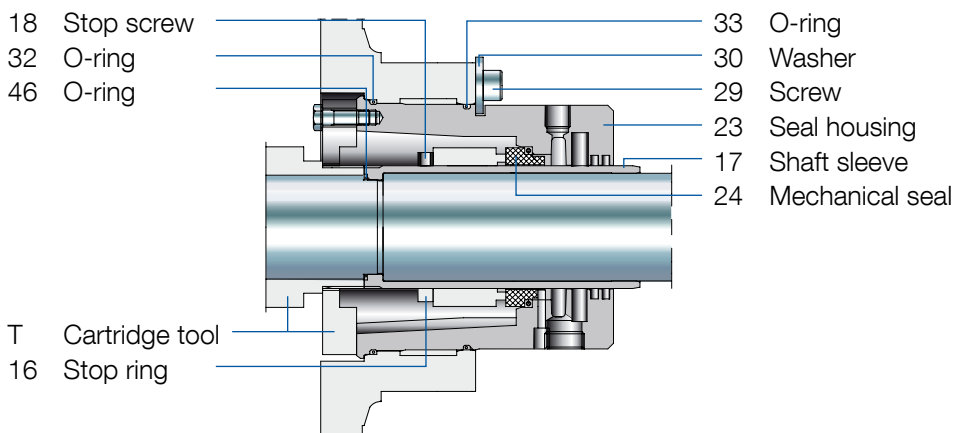
Impeller service kit



Bearing assembly service kit

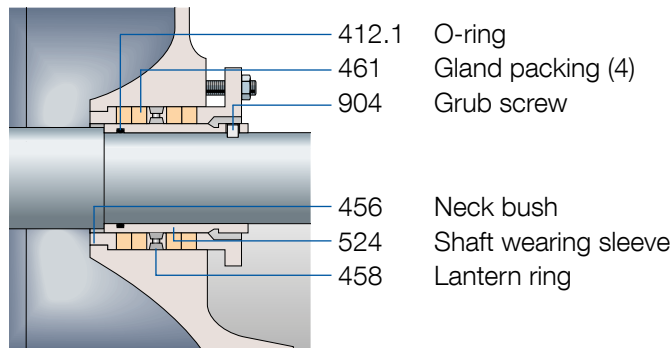


PSI cartridge service kit

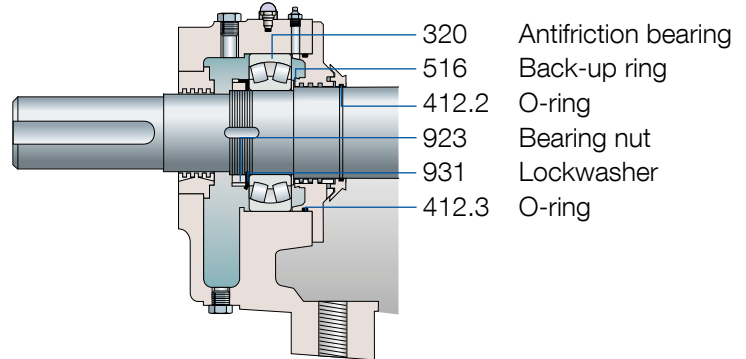


Service Kits for ZPP Double Suction Pumps

Gland packing service kit

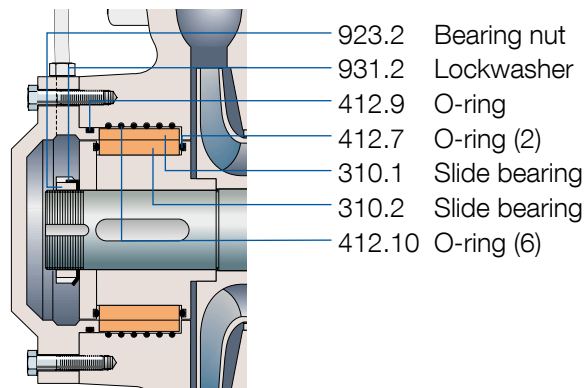


Bearing unit service kit

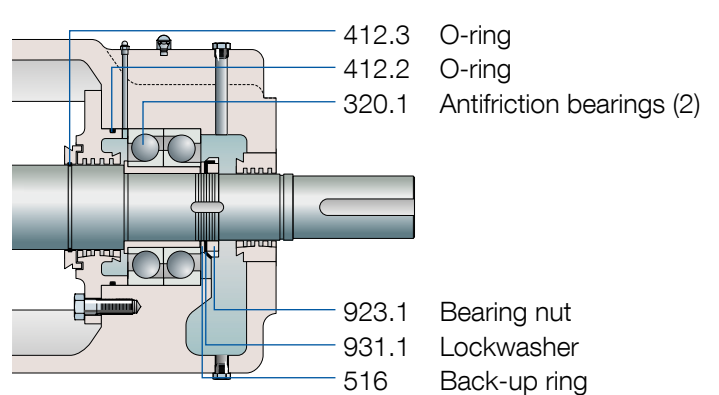


Service Kits for HPP Multistage Pumps

Balancing drum service kit

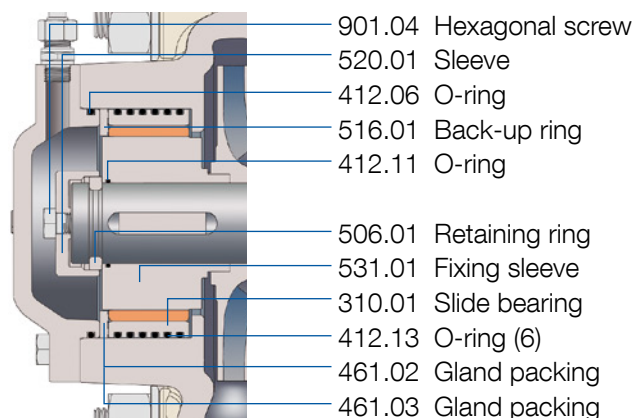


Bearing unit service kit

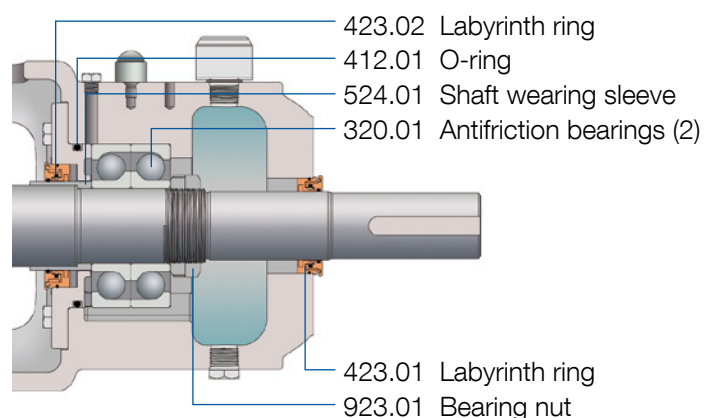


Service Kits for MBN Multistage Pumps

Balancing drum service kit

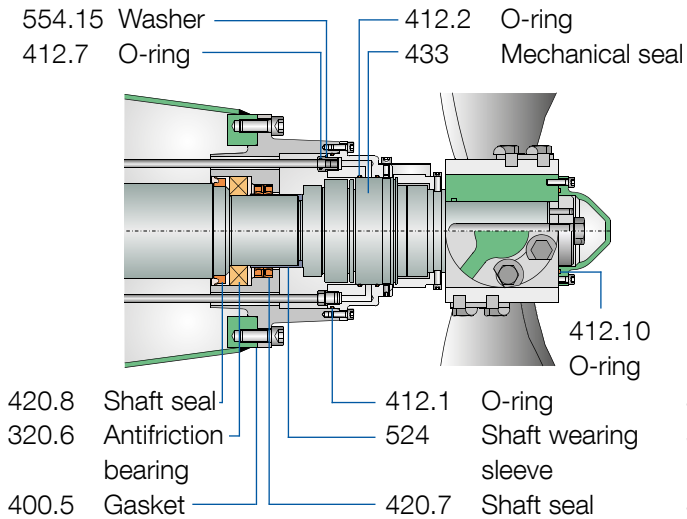


Bearing unit service kit

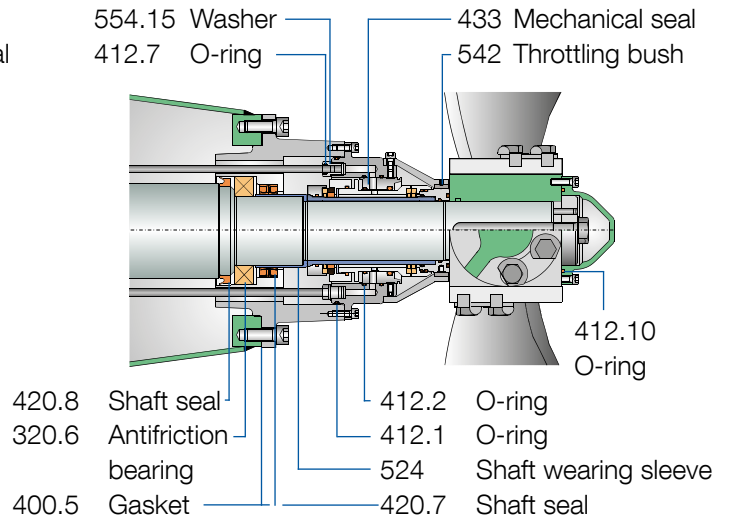


Service Kits for Agitators

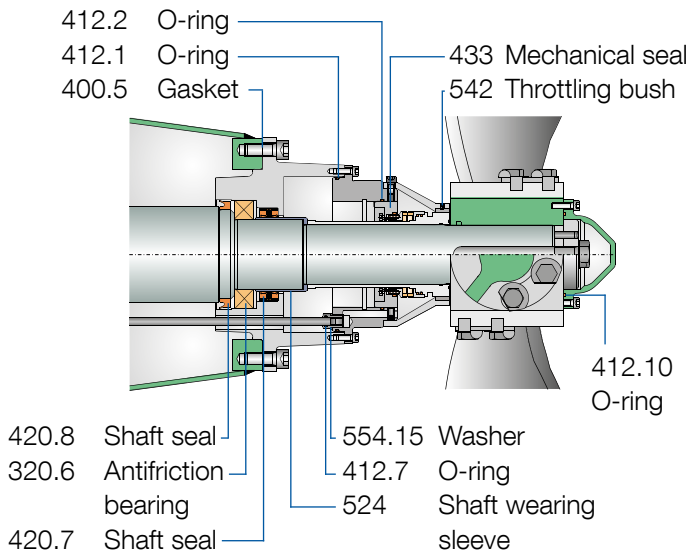
Shaft seal service kit for SLG/SLB agitators with double mechanical seal



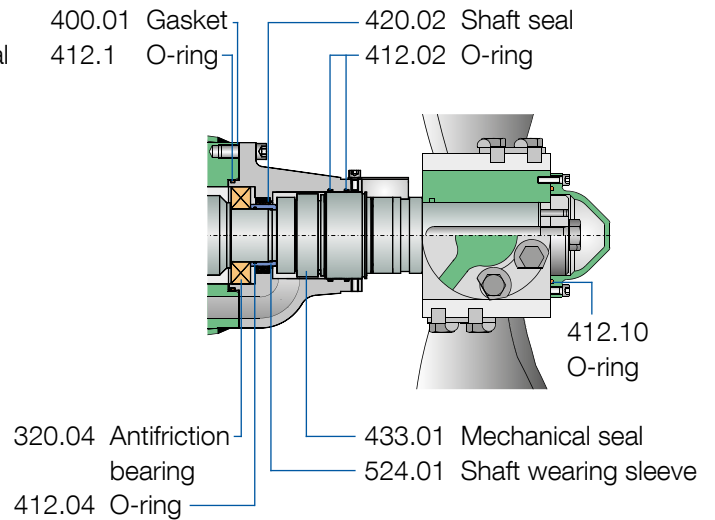
Shaft seal service kit for SLG/SLB agitators with double mechanical seal with labyrinth and flushing



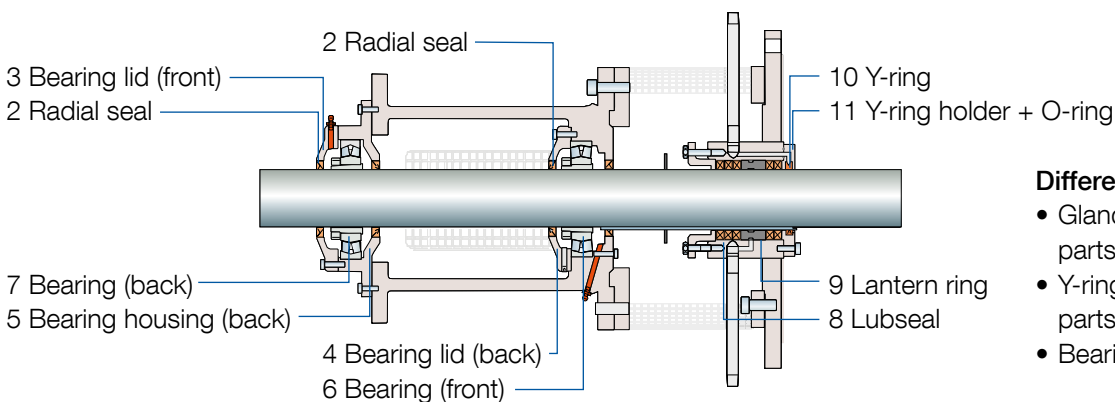
Shaft seal service kit for SLG/SLB agitators with single mechanical seal with labyrinth and flushing



Shaft seal service kit for SLF agitators with double mechanical seal



Service kit for Scaba agitators



Different service kits

- Gland packing, parts included: 8,9
- Y-ring shut off device, parts included: 10,11
- Bearings, parts included: 2-7



www.sulzer.com
spareparts.spfin@sulzer.com

E10046 (2) en 10.2014 (1,000), Copyright © Sulzer

This brochure is a general presentation. It does not provide any warranty or guarantee of any kind. Please, contact us for a description of the warranties and guarantees offered with our products. Directions for use and safety will be given separately. All information herein is subject to change without notice.