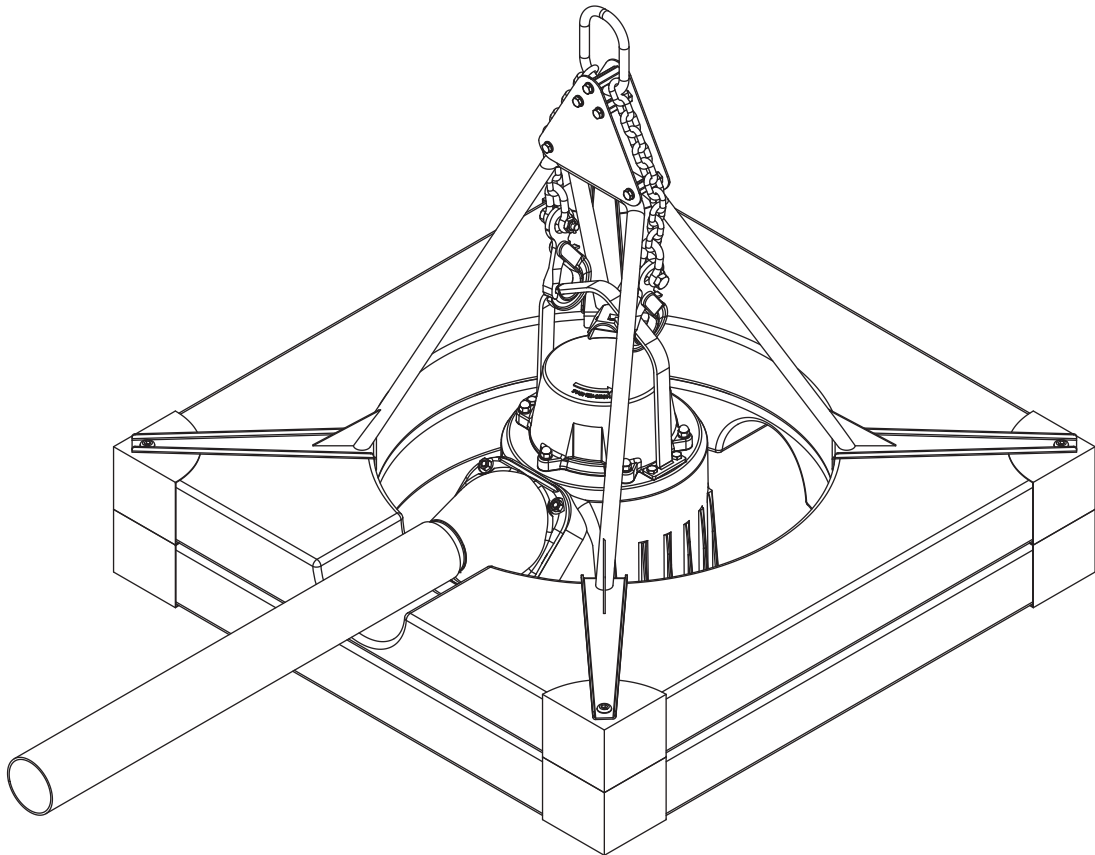


## Floatation System J 205 - J 604



- EN** Assembly and installation instruction
- SV** Monterings- och installationsinstruktion
- DE** Montageanleitung
- FR** Instructions de montage et d'installation
- IT** Istruzioni di montaggio e installazione
- ES** Instrucciones de instalación y montaje
- PT** Instruções de montagem e instalação
- ET** Koostamise ja paigalduse instruksioon
- DA** Montage- og installationsvejledning
- FI** Asennusohjeet
- EL** Οδηγίες εγκατάστασης και συναρμολόγησης
- NL** Montage- en installatie instructies
- NO** Montering- og installasjonsinstruksjon

- BG** Инструкция за монтаж
- CS** Návod na montáž a instalaci
- HR** Uputa za montažu i instalaciju
- HU** Összeállítási és szerelési útmutató
- LT** Surinkimo ir pastatymo instrukcija
- LV** Montāžas un uzstādīšanas instrukcija
- PL** Instrukcja instalacji i montażu
- RO** Instrucțiuni de asamblare și instalare
- SI** Navodila za montažo
- SK** Návod na montáž a inštaláciu
- TR** Montaj ve kurulum talimatları
- RU** Руководство по монтажу
- ZH** 装配及安装说明

**Flootation system J 205**

Used by pump model:

J 205

**Flootation system J 405**


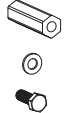


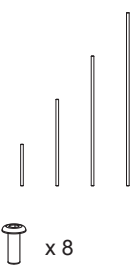
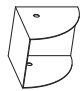
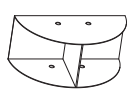

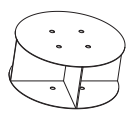
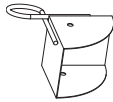
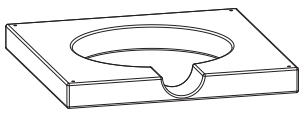

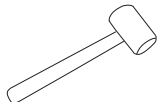

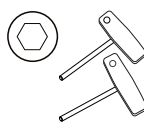
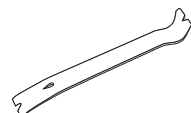
Used by pump model:

J 405

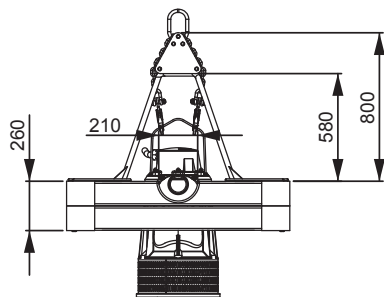
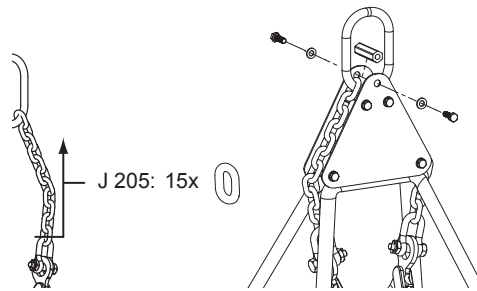
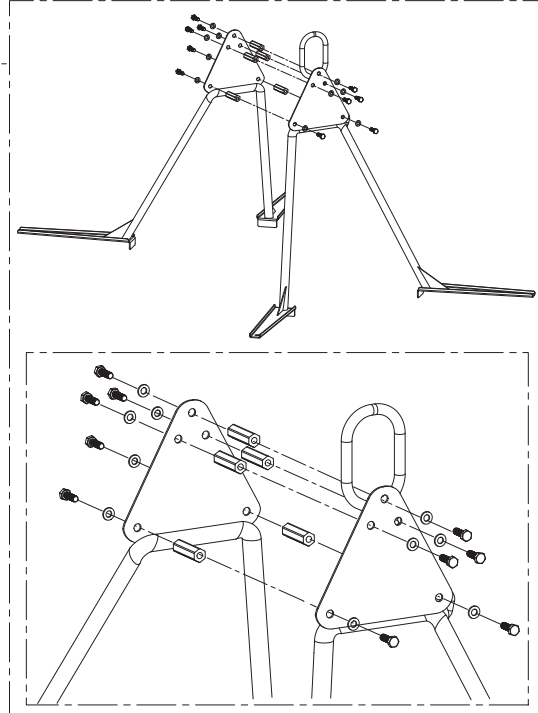
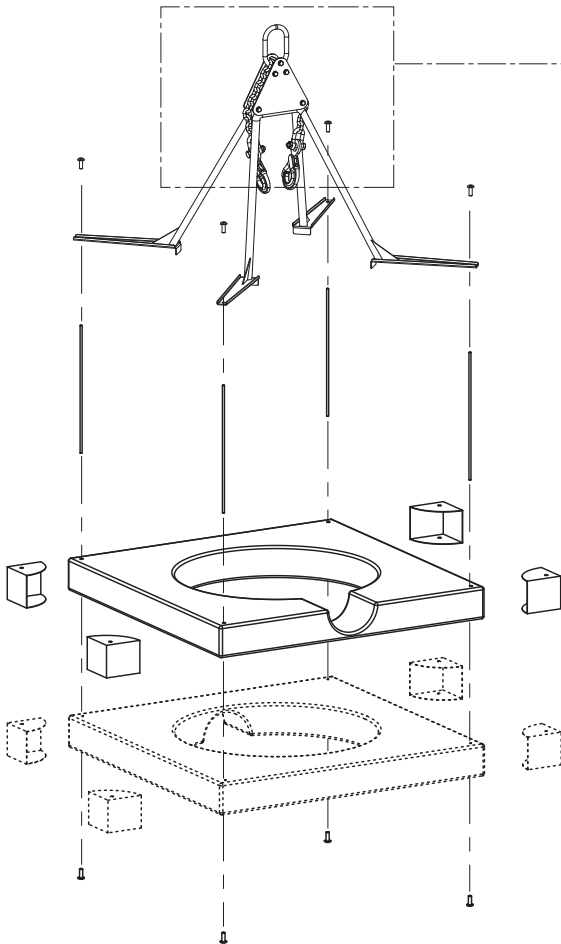
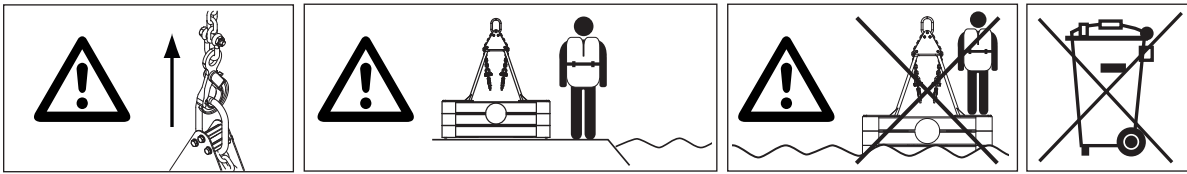
**Flootation system J 604**

Used by pump model:

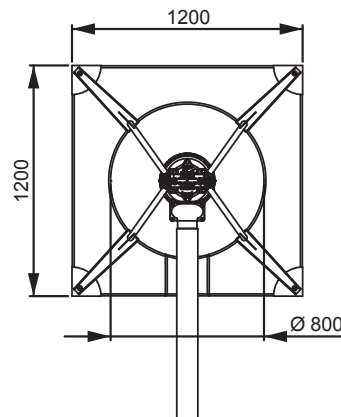
J 604

		Floation system J 205	Floation system J 405	Floation system J 604
	SWL 600Kg x 2	1	1	1
	x 5 x 10 x 10 (M10)	1	1	1
		1	1	1
	2 m 1 m	-	-	1
	125 mm x 4	-	-	-
	260 mm x 4	1	-	5
	390 mm x 4	-	-	-
	525 mm x 4	-	1	-
		8	16	16
		-	-	-
		-	-	8
		-	-	-
		-	-	-
		2	4	2
		-	-	8
	x 1			
	16 mm x1 17 mm x1			
	5 mm x2			
	x 1			

# Floation system J 205



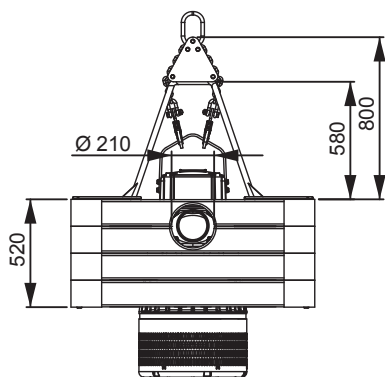
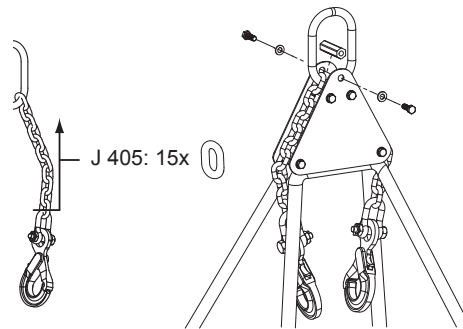
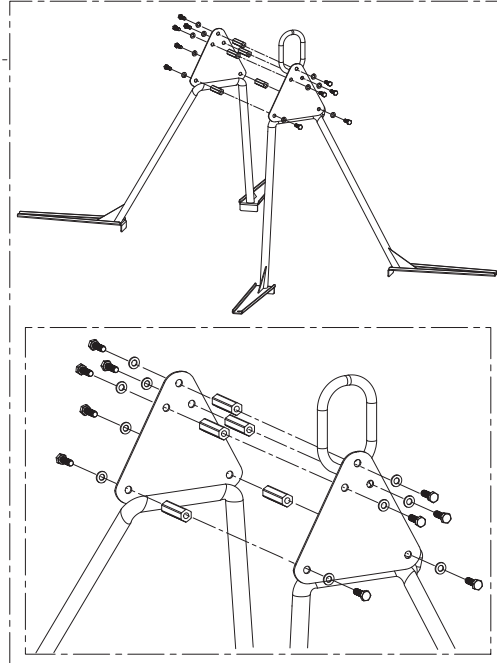
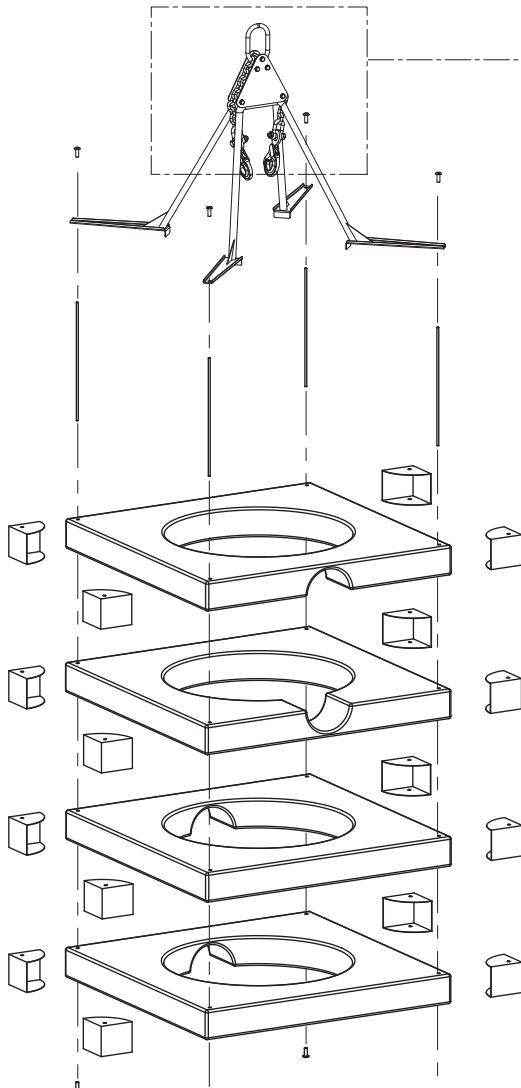
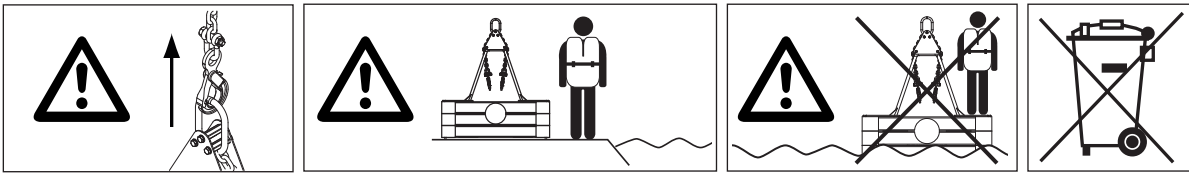
Floation system J 205



Floation system J 205 - J 405

 Max Equipment Weight  
180 Kg

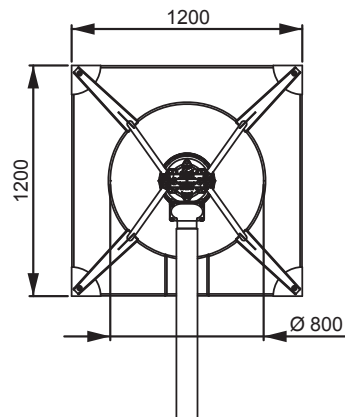
# Floation system J 405



Floation system J 405

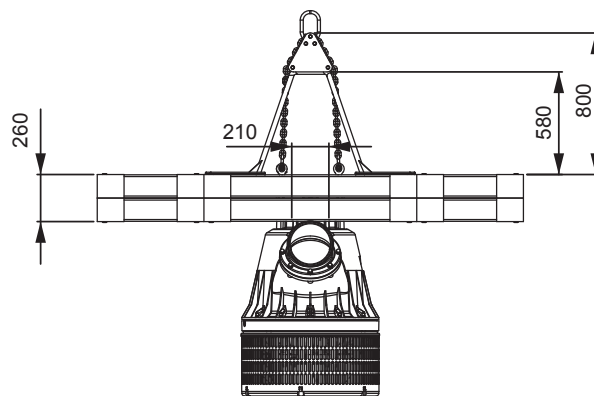
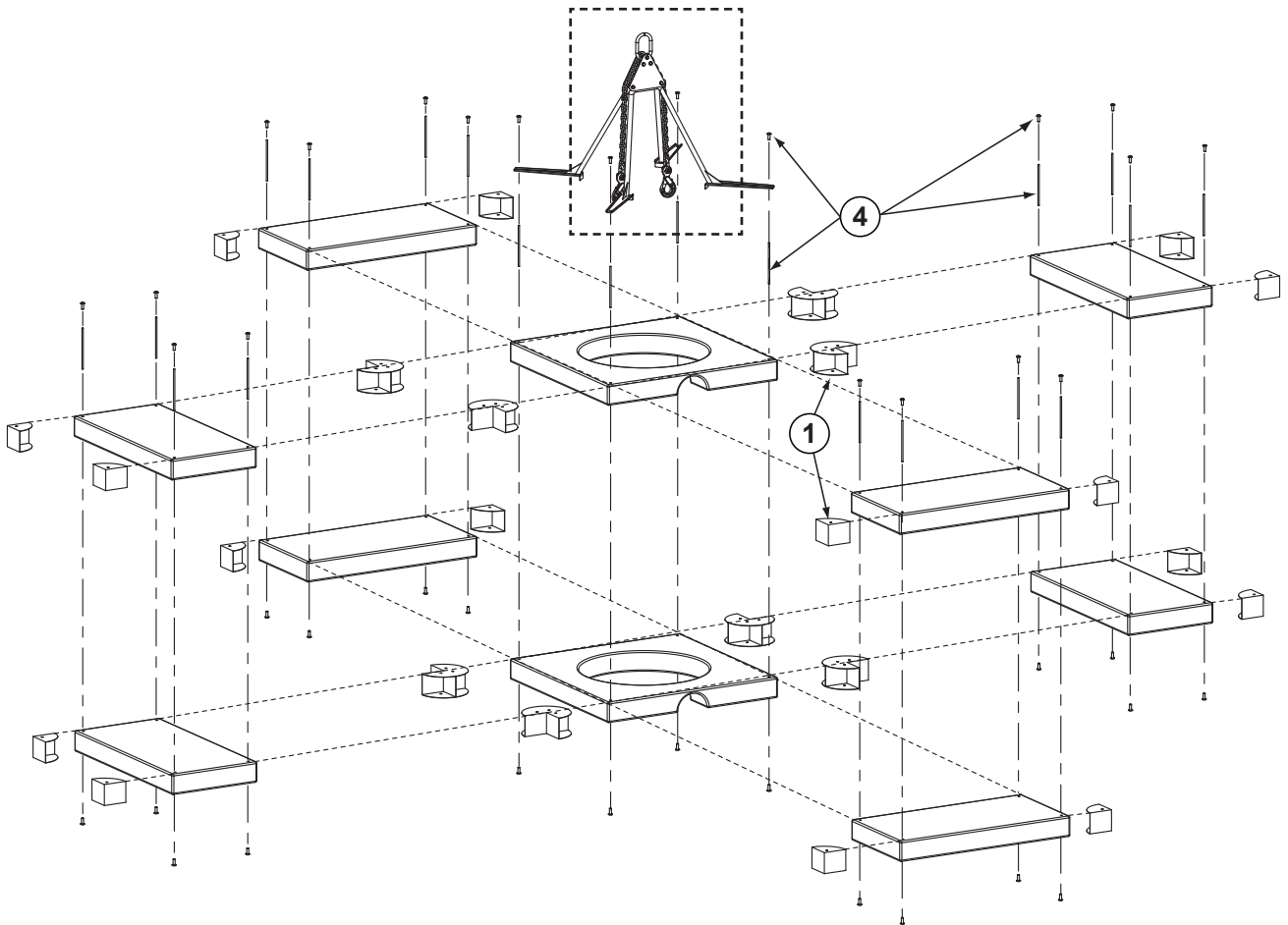
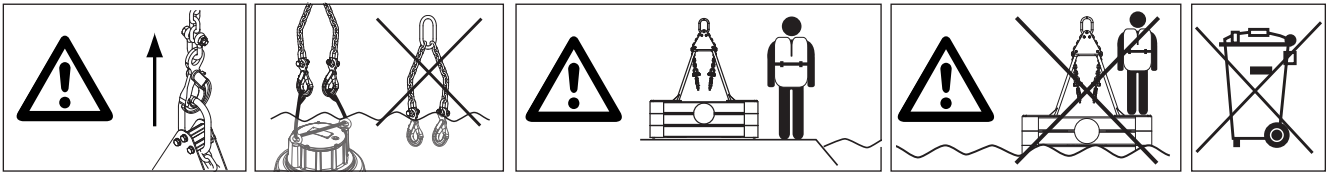


Max Equipment Weight  
360 Kg



Floation system J 205 - J 405

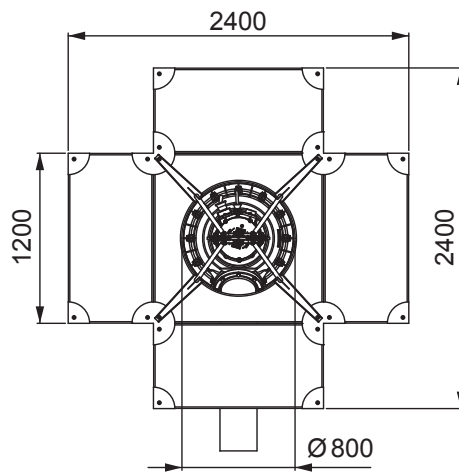
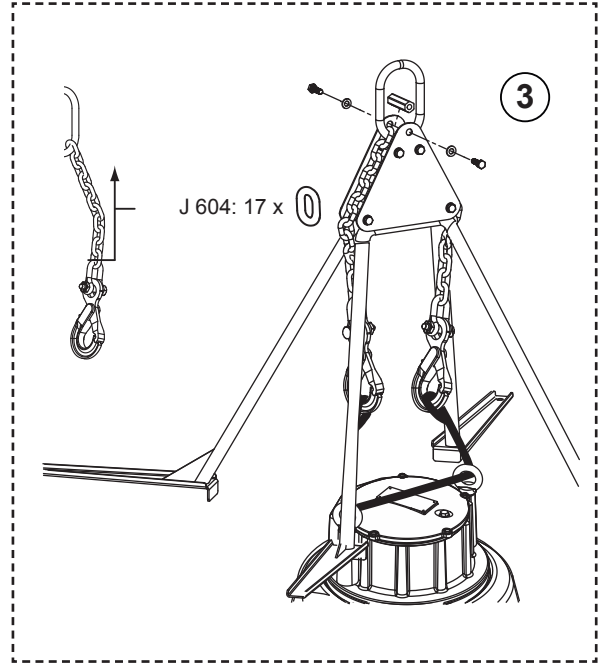
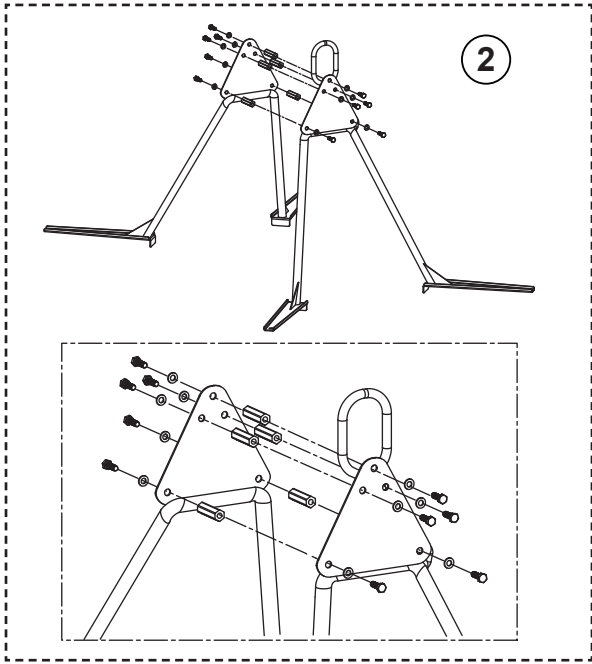
# Floation system J 604



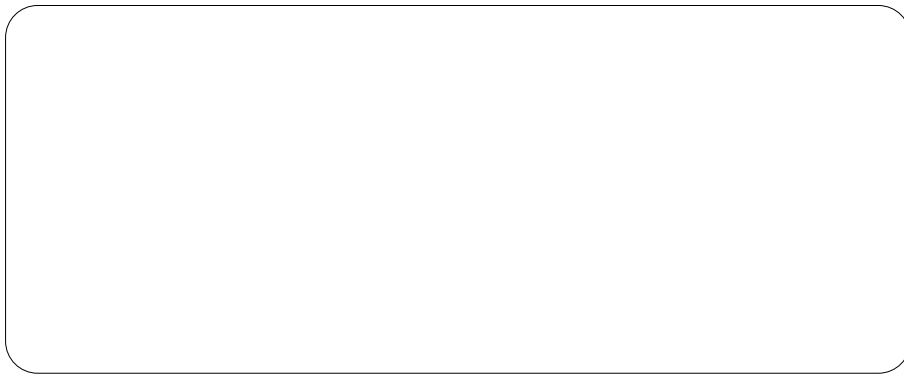
Floation system J 604



Max Equipment Weight  
600 Kg



Floation system J 604



**SULZER**

Sulzer Pump Solutions Ireland Ltd., Clonard Road, Wexford, Ireland  
Tel. +353 53 91 63 200, Fax +353 53 91 42 335, [www.sulzer.com](http://www.sulzer.com)